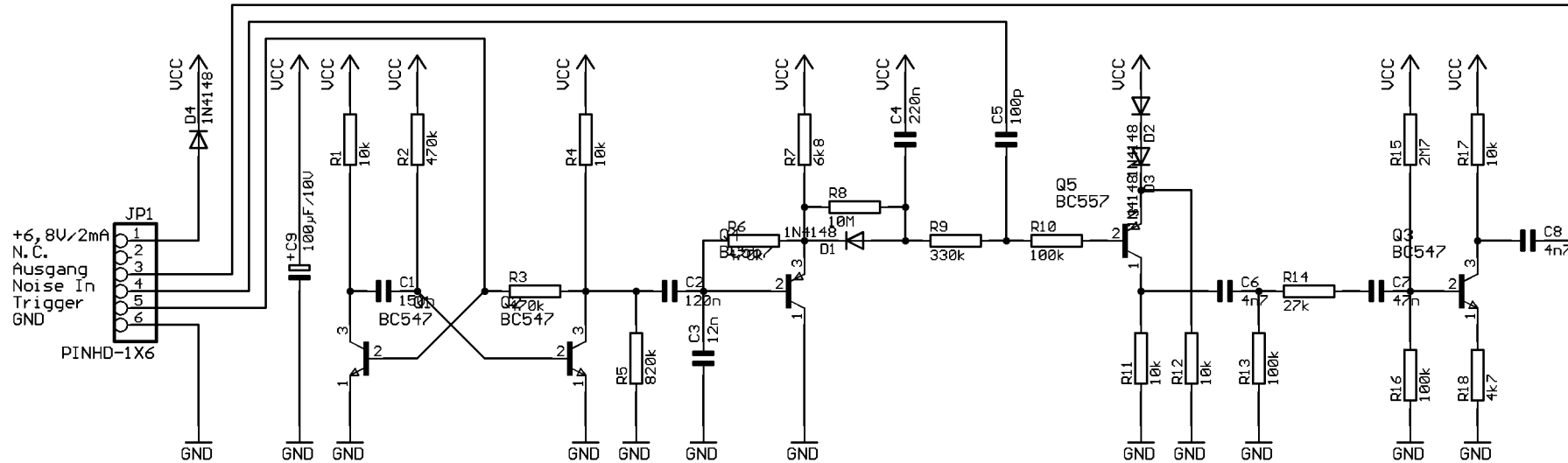


Widerstände : Kondensatoren : Halbleiter :

R1 = 10k  
 R2 = 470k  
 R3 = 470k  
 R4 = 10k  
 R5 = 820k  
 R6 = 470k  
 R7 = 6k8  
 R8 = 10M  
 R9 = 330k  
 R10 = 100k  
 R11 = 10k  
 R12 = 10k  
 R13 = 100k  
 R14 = 27k  
 R15 = 2M7  
 R16 = 100k  
 R17 = 10k  
 R18 = 4k7

C1 = 150n  
 C2 = 120n  
 C3 = 12n  
 C4 = 220n  
 C5 = 100p  
 C6 = 4n7  
 C7 = 47n  
 C8 = 4n7  
 C9 = 100µF/10V

T1 = BC547C  
 T2 = BC547C  
 T3 = BC547C  
 T4 = BC557C  
 T5 = BC557C  
 D1-D4 = 1N4148



Becken Generator	
Dirk Lindhof <a href="http://www.msc175.de">www.msc175.de</a>	
Project File : drumbox_becken	Vers.:
Date: 20.07.2002 12:49:46	Blatt :1/1