

Stückliste :

Widerstände :

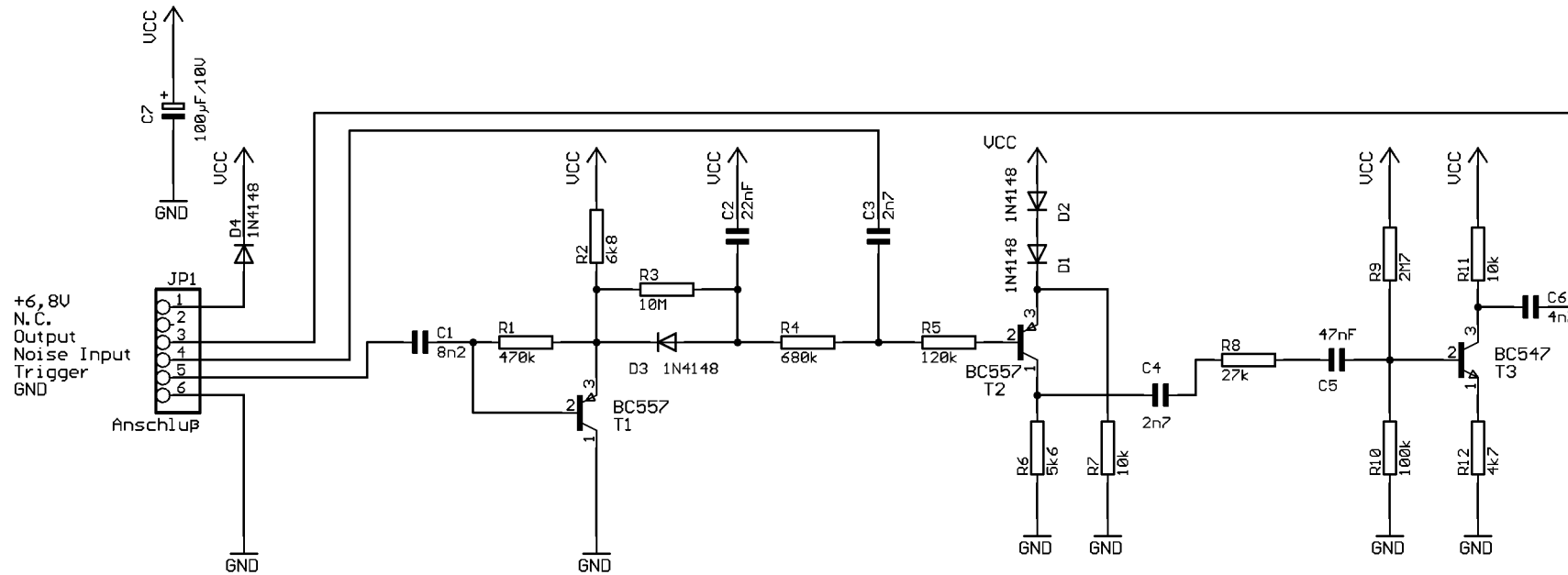
R1 = 470k
 R2 = 6k8
 R3 = 10M
 R4 = 680k
 R5 = 120k
 R6 = 5k6
 R7 = 10k
 R8 = 27k
 R9 = 2M7
 R10 = 100k
 R11 = 10k
 R12 = 4k7

Kondensatoren :

C1 = 8n2
 C2 = 22nF
 C3 = 2n7
 C4 = 2n7
 C5 = 47nF
 C6 = 4n7
 C7 = 100µF/10V

Halbleiter :

T1 = BC557C
 T2 = BC557C
 T3 = BC547C
 D1-D4 = 1N4148



Snaredrum Noise Generator

Diese Platine erzeugt parallel zum Trommelgyrator ein Rauschen.

Dirk Lindhof www.msc175.de

Project File : drumbox_sn_rauschen | Vers.:

Date: 16.07.2002 10:59:36

Blatt :1/1