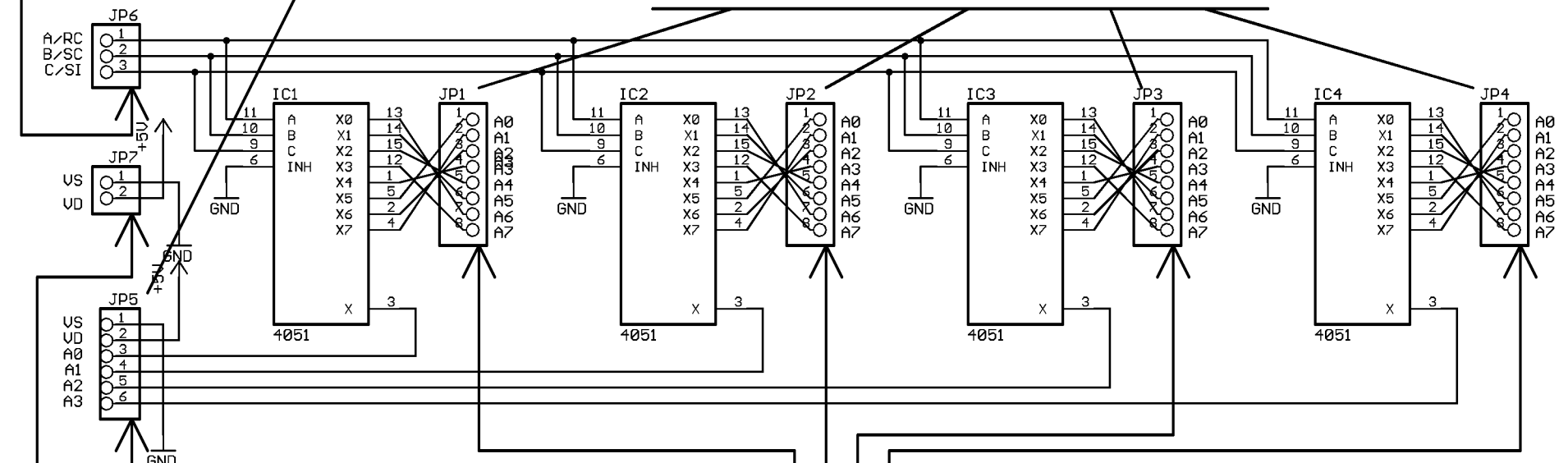


Interface to J6 of the core module

if you leave out a 4051, clamp the appr. analog input (A0-A3) to ground !

clamp unused analog inputs of the 4051 (A0..A7) to ground !

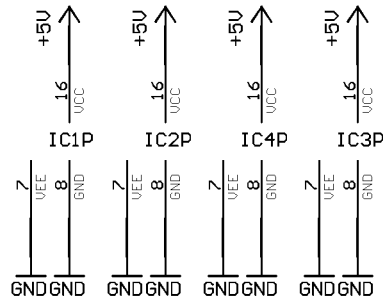


US
VD
+5V
GND

Interface to J5 of the Core Module

Power supply pins for the pots

Analog Inputs connected with the sliders of pots or as CV Input



- Partlist:
 IC1-IC4 : 4051
 J1-J4 : optional

Analog Input (MBHP_AINX4_V2)	
Die Schaltung ist von Thorsten Klose - www.ucapps.de	
Dirk Lindhof www.msc175.de	
Project File : mb_ain	
Project Date : 12.10.2003 00:55:08	
Plot Date : 12.10.2003 00:55:09	