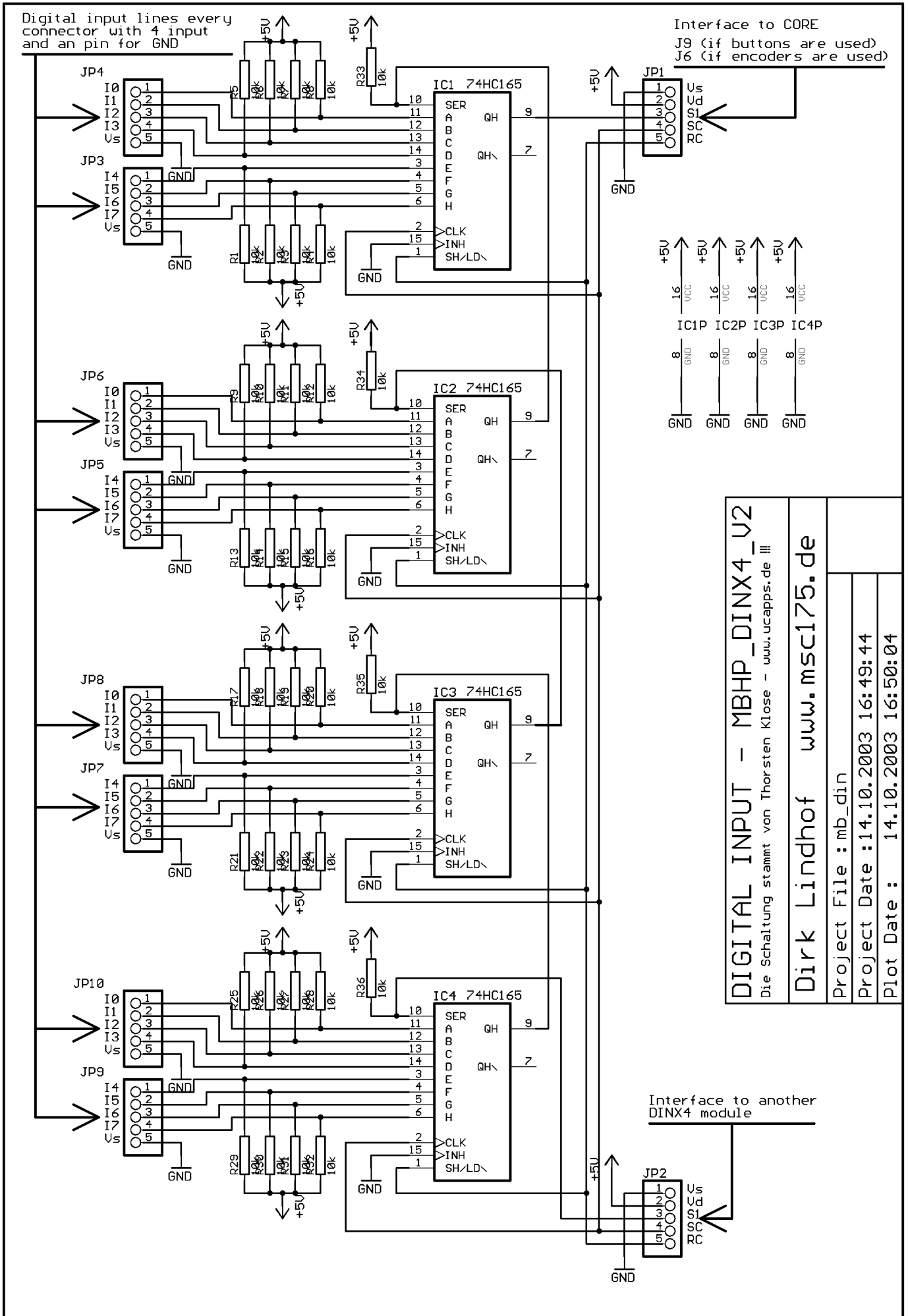


Digital input lines every connector with 4 input and an pin for GND

Interface to CORE
 J9 (if buttons are used)
 J6 (if encoders are used)



DIGITAL INPUT - MBHP_DINX4_V2
 Die Schaltung stammt von Thorsten Klose - www.ucapps.de !!!

Dirk Lindhof www.msc175.de

Project File : mb_din
 Project Date : 14.10.2003 16:49:44
 Plot Date : 14.10.2003 16:50:04

Interface to another DINX4 module