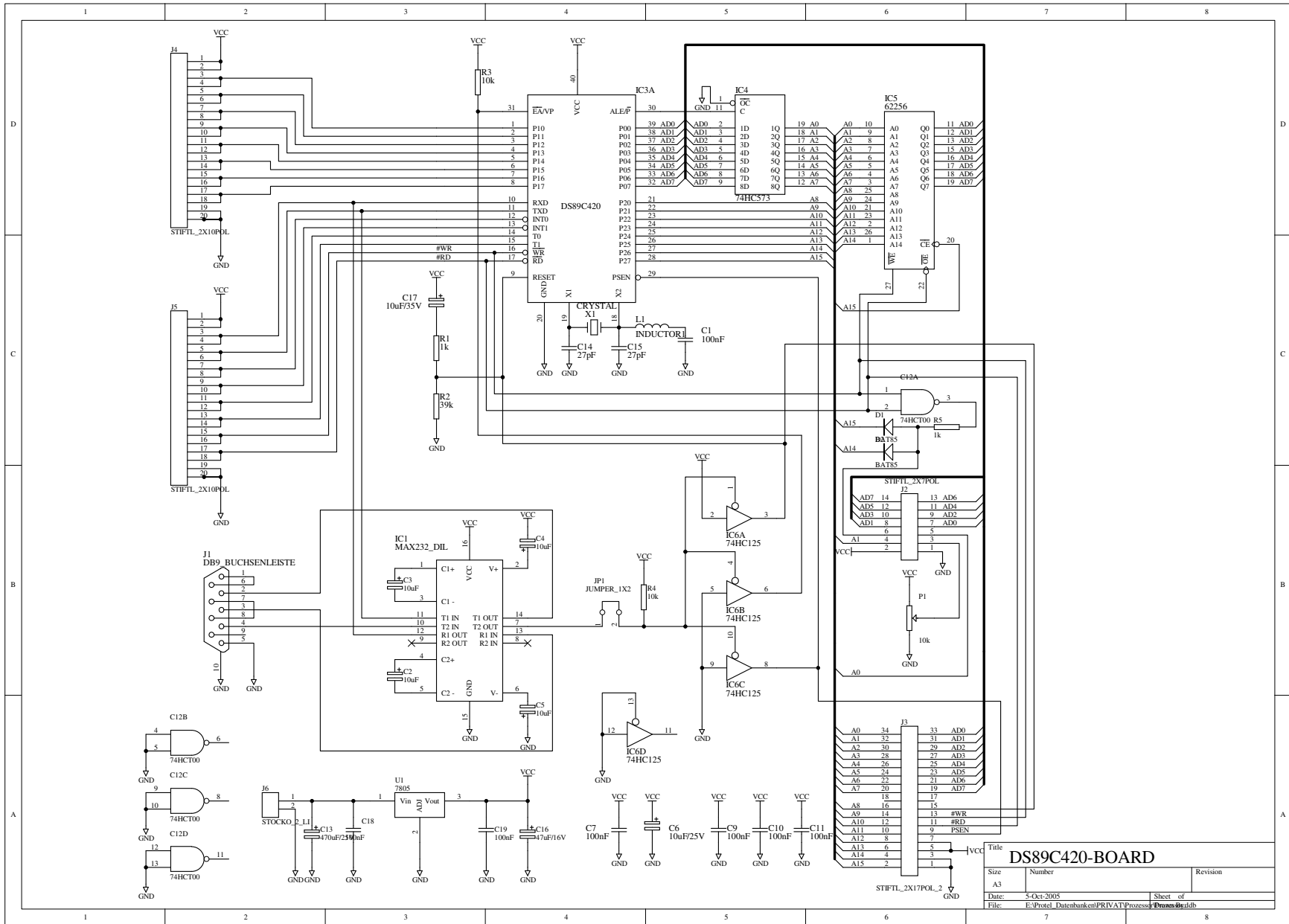


DS89C420-BOARD

MSC175 – Projekt
Dirk Lindhof



Title		
DS89C420-BOARD		
Size	Number	Revision
A3		
Date:	5-Oct-2005	Sheet of
File:	E:\Protel Datenbanken\PRIVAT\Process\Broschur\Brd1.dtb	

J1

